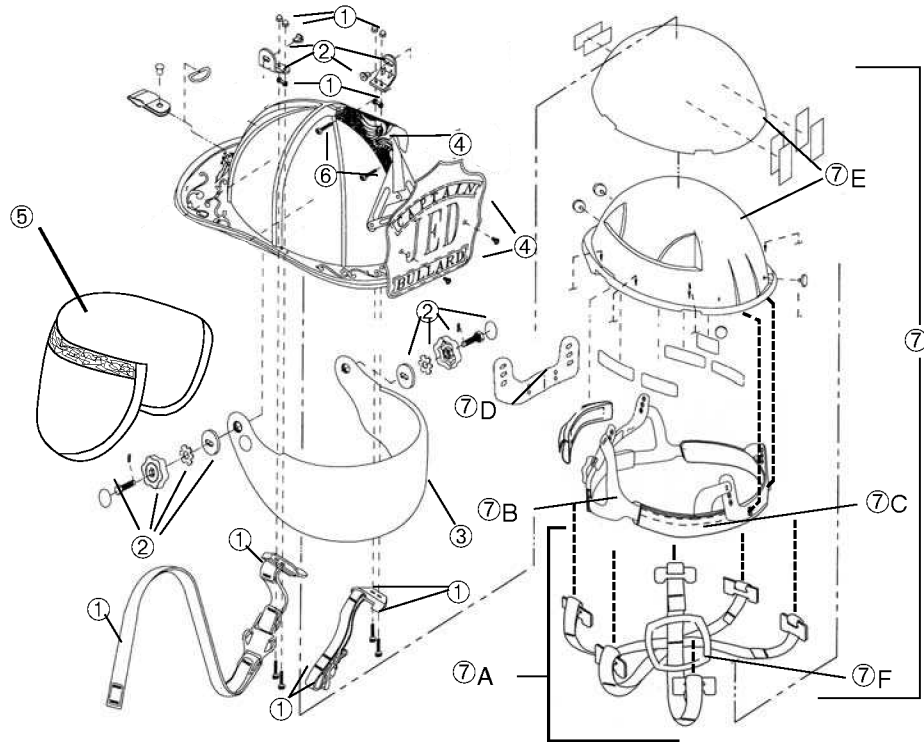


Replacement Parts for UST Series Helmet



CATALOG NUMBER	DESCRIPTION	CATALOG NUMBER	DESCRIPTION
① R148	Nomex® chin strap with quick-release buckle and Postman's slide fastener	⑦A R112	Nylon crown straps with crown pad
② R152	Faceshield mounting hardware kit	⑦A R113	Nomex crown straps with crown pad
③ R340	6" gold-coated faceshield	⑦B R637	Sure-Lock® ratchet headband
④ OR500	Brass front	⑦C R635	Brow pad
⑤ R721	Rip-Stop Nomex ear/neck protector for UST helmet	⑦D R628	Ratchet height adjuster
⑤ R741	Rip-Stop PBI®/Kevlar® ear/neck protector for UST helmet (not shown)	⑦E	Impact liner/inner shell - Not available individually
⑤ R726	Nomex ear/neck protector with throat strap (not shown)	⑦F R636	Crown pad
⑥ R921	Replacement inner crown system Includes: inner shell, Sure-Lock® ratchet, crown pad, headband, brow pad, urethane impact liner, 6-point nylon crown strap assembly, and velcro strips		
⑦R941	Replacement inner crown system Includes: inner shell, Sure-Lock ratchet, crown pad, headband, brow pad, urethane impact liner, 6-point Nomex crown strap assembly, and velcro strips		

Helmet Model

UST/USTM Thermoglass® helmet

Colors

Model UST Firedome helmets are available in seven standard colors: white, red, black, yellow, blue, orange and lime-yellow. Model USTM Firedome helmets are available in red, black, and yellow.

Cleaning

Remove ear/neck protector, headband, and crown straps. Clean inner and outer shells with mild soap or detergent. Wash the ear/neck protector, headband, brow pad, crown pad, and crown straps in warm, soapy water and air dry at room temperature. Clean faceshields with mild detergent, rinse thoroughly with clean water, and dry with a soft cloth.

⚠ WARNING

Users should not wear helmets that are not thoroughly cleaned and dried. Failure to follow this instruction could result in death or serious injury.